

A46JE/A46JRT

ARTICULATED BOOM LIFTS



PART OF ASPIRE GROUP



- Class-leading articulated boom lifts
- Choose from electric or rough terrain diesel models
- Highly manoeuvrable with tight turning radius
- Superb working envelope with zero tailswing
- Robust, reliable and easy to operate



 **snorkel**[™]
www.snorkellifts.com

ARTICULATED BOOM LIFTS

A46JE/A46JRT

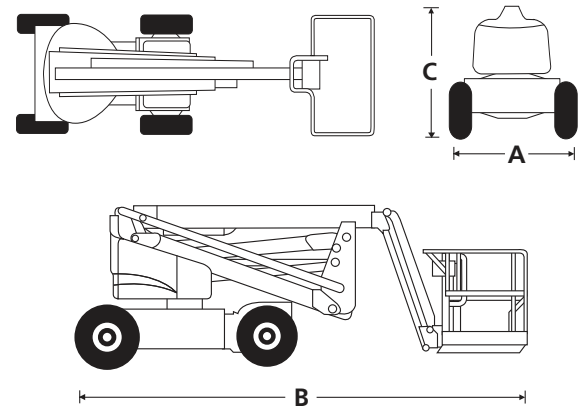
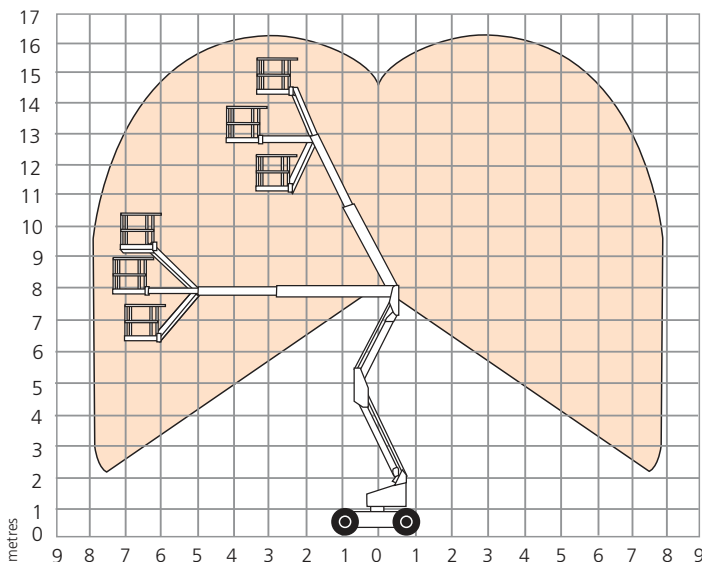
DIMENSIONS	A46JE	A46JRT
Max. working height	16.0m	16.3m
Max. platform height	14.0m	14.3m
Max. working outreach	7.35m	7.35m
Clearance height at max. outreach	7.46m	7.67m
Platform size	1.0m x 1.83m	1.0m x 1.83m
Chassis width (A)	1.7m	2.1m
Overall length (B)	5.6m	5.7m
Stowed height (C)	2.0m	2.16m
Ground clearance	152mm	330mm

PERFORMANCE		
Platform capacity (SWL)	227kg	227kg
Max. drive height	14.0m	14.3m
Max. wind speed	12.5m/s	12.5m/s
Max. drive speed (stowed)	5.1km/h	6.4km/h
Max. drive speed (elevated)	0.8km/h	1.3km/h
Jib length	1.5m	1.5m
Jib arc	140°	140°
Platform rotation	160°	160°
Turret rotation (non-continuous)	360°	360°
Tailswing	0m	0m
Raise/lower time	99/92 sec	101/98 sec
Gradeability	30%	45%
Inside turning radius	0.6m	0.8m
Outside turning radius	3.0m	3.1m
Tyres	Non-marking IN240/55D 17.5	High grip, foam-filled 355/55D625NHS 17.5
Controls	proportional	proportional
Drive system	2 wheel drive	4 wheel drive

POWER		
Power source	8 x 6V 360Ah batteries	Kubota V1505 24.9hp Diesel

WEIGHT		
Weight	6,486kg	7,540 kg

WORKING ENVELOPE



STANDARD FEATURES

- Snorkel Guard™ secondary guarding system
- Multi-function proportional controls
- Oscillating front axle (A46JRT)
- Power line to platform
- Zero tailswing
- Hour meter & on-board diagnostics display
- Foam filled tyres (A46JRT)
- Non-marking tyres (A46JE)
- Battery charge indicator (A46JE)
- 2 year parts & labour, 5 year structural warranty
- CE approved

OPTIONS

- Special paint colours
- AC generator 110V/240V 2kW (A46JRT)
- Airline to platform (A46JRT)
- Non-marking tyres (A46JRT)
- Environmental hydraulic oil
- 1.52m aluminium platform with swing gate
- Aircraft package
- Deluxe aircraft package
- Cold weather package (A46JRT)
- Extreme cold weather package (A46JRT)
- Extreme environment package
- Light package (A46JRT)
- Tool tray (A46JRT)
- Dual fuel (A46JRT)



snorkel

Vigo Centre, Birtley Road,
Washington, Tyne & Wear,
NE38 9DA, U.K.

t: +44 (0) 845 1550 057
e: sales.emea@snorkellifts.com

www.snorkellifts.com